



vmi clearway™

platformlifts

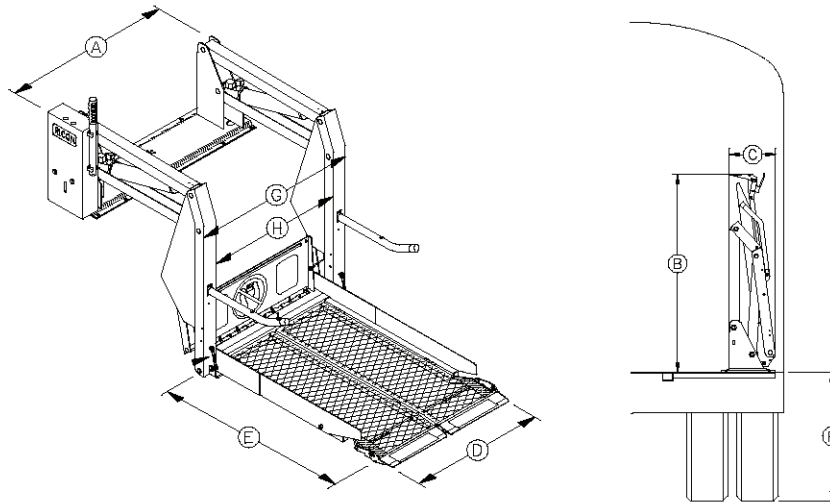
An innovative approach to lift technology; the Clearway™ offers an exclusive split-platform that folds vertically, allowing unobstructed access upon exit and entry whether or not the lift is deployed. The driver's line of sight is also unobstructed for optimum safety. Beyond intelligent design, there is also muscle. Dual-power cylinders ensure smooth, reliable operation, even for heavy wheelchairs and scooters.

advantages

- All-steel frame features convenient handrails for increased comfort and security
- Stable, non-skid platform with automatic inboard and outboard rollstops
- Pre-lubricated bearings at all major pivot points offer long term durability
- Built in manual backup system



Power electro-hydraulic	Rated load capacity800 lbs
Motor rating @ 12 volts DC65.0 amp. avg/cycle, 1250 psi	Manual backup (up)hand pump
@ 24 volts DC32.5 amp. avg/cycle, 1250 psi	Manual backup (down) pressure release valve
Hydraulic cylinders..... 2 ea, 1.5", power-up/gravity-down	Lift weight300 - 325 lbs



specifications (inches)

	A	B	C	D	E	F	G	H
MODEL	Stationary frame width	Height (folded)	Installation depth (folded)	Usable platform width	Usable platform length	Floor-to-ground travel	Traveling frame width	Clear entry width
S1132-P	41	40.5	19.5	26	38	27	33.5	27
S1133-P	45	40.5	21.5	30	38	27	37.5	31
S1230-P	45	46.5	21.5	30	48	31	37.5	31
S1231-P	45	44.5	21.5	30	42	31	37.5	31

*Lift can be rated 800 lbs. with optional install kit