



# vmi klearvue™ platformlifts

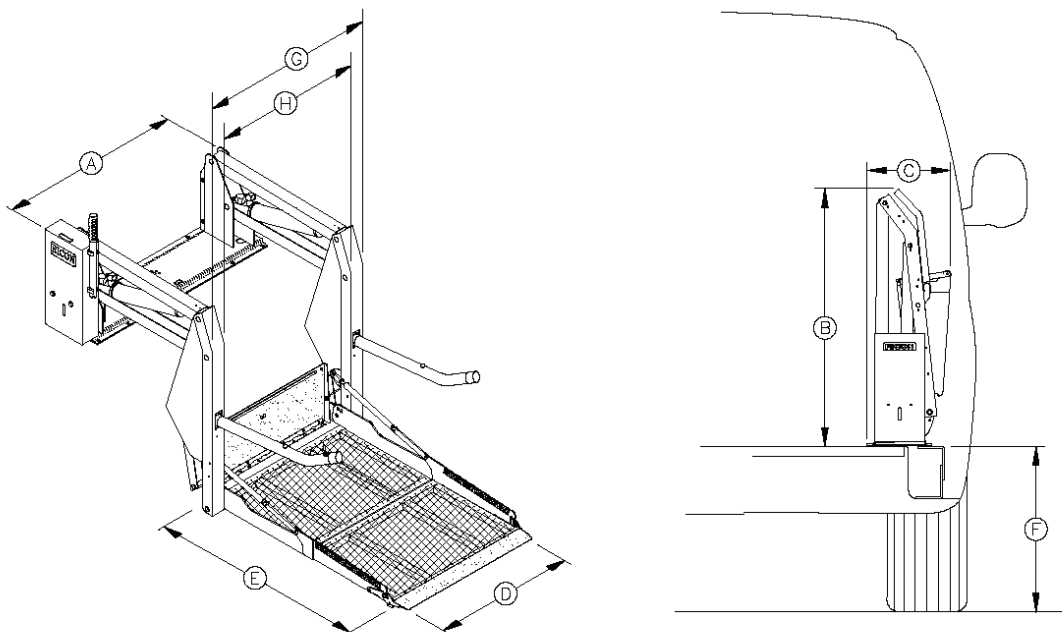
Advancing lift usability to a dynamic new level, the KlearVue™ platform lift offers a unique horizontal fold to allow an unobstructed view from inside or outside the vehicle without requiring a raised roof or lowered floor. No vehicle modification is needed thanks to advanced engineering that allows a longer 51" platform to fit in a shorter 48" door.

## advantages

- Automatic inboard/outboard rollstops
- Stable and compact when stowed
- Permanent, no-lube bearings at all major pivot points
- Powerful hydraulic pump
- Built-in manual back-up system



Power..... electro-hydraulic	Rated load capacity ..... 600 lbs
Motor rating @ 12 volts DC..... 65.0 amp. avg/cycle, 1250 psi	Manual backup (up)..... hand pump
@ 24 volts DC ..... 32.5 amp. avg/cycle, 1250 psi	Manual backup (down)..... pressure release valve
Hydraulic cylinders ..... 2 ea, 1.5", power-up/gravity-down	Lift weight ..... 310 - 325 lbs



**specifications** (inches)

	<b>A</b>	<b>B</b>	<b>C</b>	<b>D</b>	<b>E</b>	<b>F</b>	<b>G</b>	<b>H</b>
<b>MODEL</b>	Stationary frame width	Height (folded)	Installation depth (folded)	Usable platform width	Usable platform length	Floor-to-ground travel	Traveling frame width	Clear entry width
K1132	43	38.6	15.5	26	38	24	33.5	29.25
K1200	47	38.5	15.5	30	44	28	37.5	29.25
K1203	47	43.6	15.5	30	51	28	37.5	29.25
K1205	49	43.6	15.5	32	51	28	39.5	31.25

\*Lift can be rated 800 lbs. with optional install kit