



vmi slide-away™ platformlifts

A revolution in platform lift design; the Slide-Away™ features strength and space in one easy-to-use package. When in use, the sliding second tower travels toward the front of the vehicle to provide the strength and stability only available in a dual post lift. And when not in use, the sliding second tower travels towards the rear of the vehicle, leaving the side door unobstructed for able-bodied passengers and providing full use of the front passenger seat.

advantages

- Unobstructed access through side cargo doors when lift is not in use
- Allows full use of front passenger seat
- Innovative dual post lift design
- Optional 800 lb installation kits available for some applications
- Built in, easy-to-use, two step manual backup system



vmi slideaway™ platformlifts



- full use of front passenger seat



- easy to use manual back-up in case of battery failure



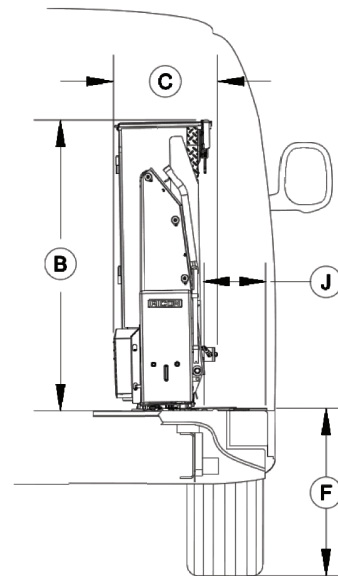
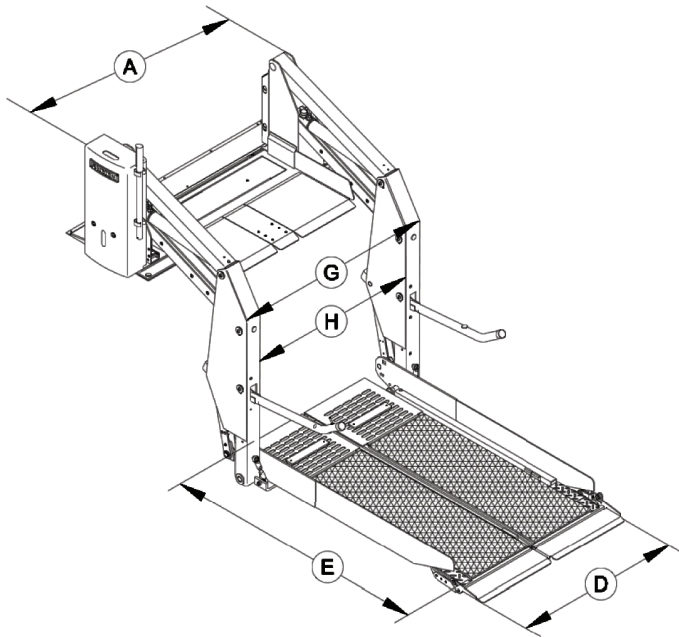
- sliding second tower with dual post strength



- clear side access when fully stowed

Power electro-hydraulic
 Motor rating @ 12 volts DC 65.0 amp. avg/cycle, 1250 psi
 Hydraulic cylinders 2 ea, 1.5", power-up/gravity-down

Rated load capacity 800 lbs***
 Manual backup (up) hand pump
 Manual backup (down) pressure release valve
 Lift weight 360-390 lbs



specifications (inches)

	A	B	C	D	E	F	G	H	*I	**J
MODEL	Stationary frame width	Height (folded)	Installation depth (folded)	Usable platform width	Usable platform length	Floor-to-ground travel	Traveling frame width	Clear entry width	Stowed arms width	Installed depth
ST00	45.0	46.0	21.5	30.0	42.0	30.0	37.5	31.0	19.3 (max)	7.0
ST01	45.0	52.0	21.5	30.0	48.0	30.0	37.5	31.0	19.3 (max)	7.0

*Item "I" is not shown. **Measurement for item "J" is taken from front edge of baseplate to door sill. ***Lift can be rated 800 lbs. with optional install kit.